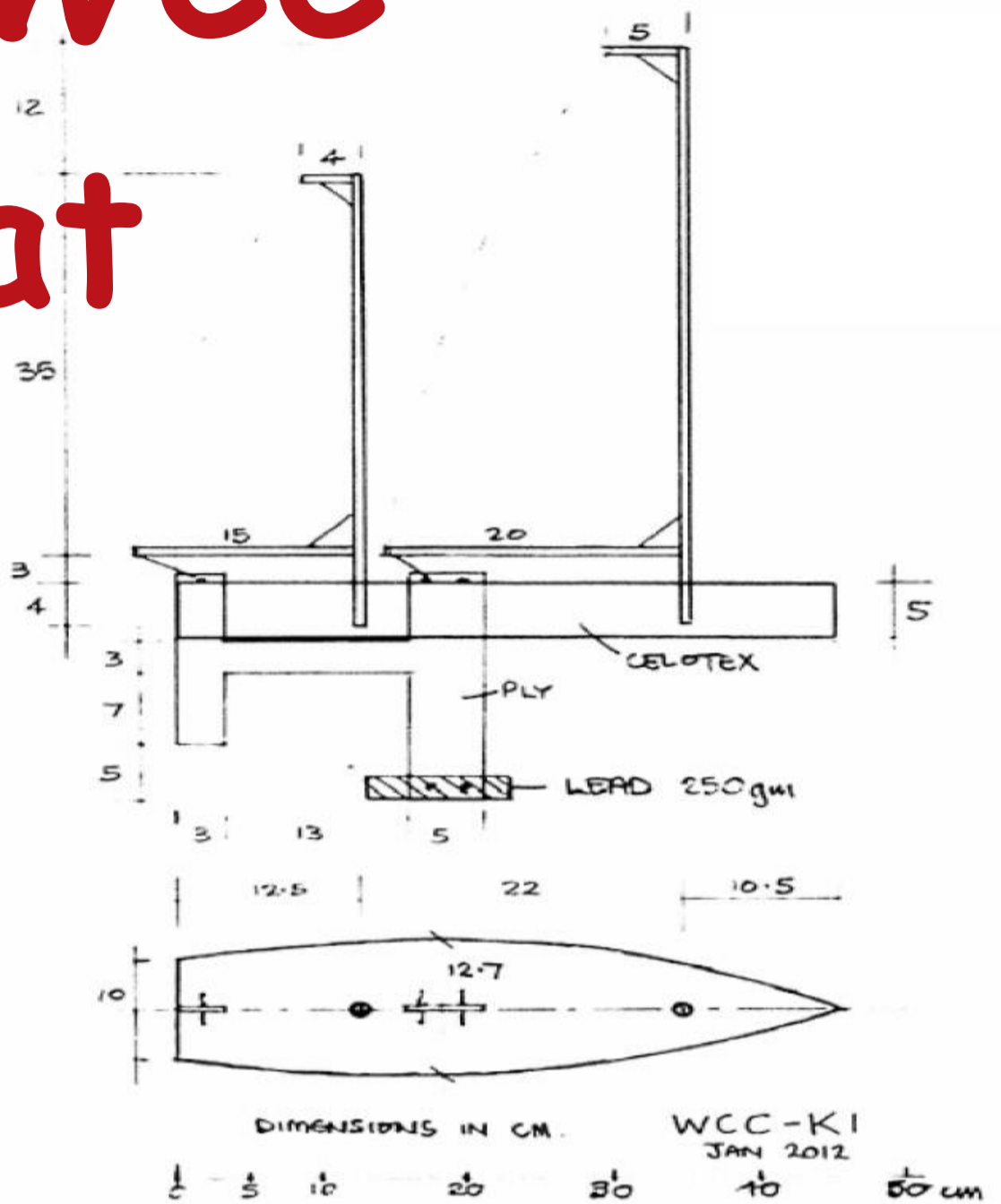


# Join the WCC Model Boat Challenge!

Join us on April 2nd for a day of fun around the water

- Engage in friendly competition with our colleagues from the Woodbridge Model Boat Club
- Heated one design competition for world championship honours on the WWC-K1 Class!
- Race one of the WMBC loaner boats or make your own!
- Fun for the whole family!
- Join us for a meal at the clubhouse to recover from the exertions of the competition.



Contact Alex Navarrete to book your meal and secure a loaner boat:  
[Alexnava.F40@gmail.com](mailto:Alexnava.F40@gmail.com)  
(07804 864 503)

